

CTMB-6351IR

True D&N IR Bullet Camera



Key Features

CAMTRON

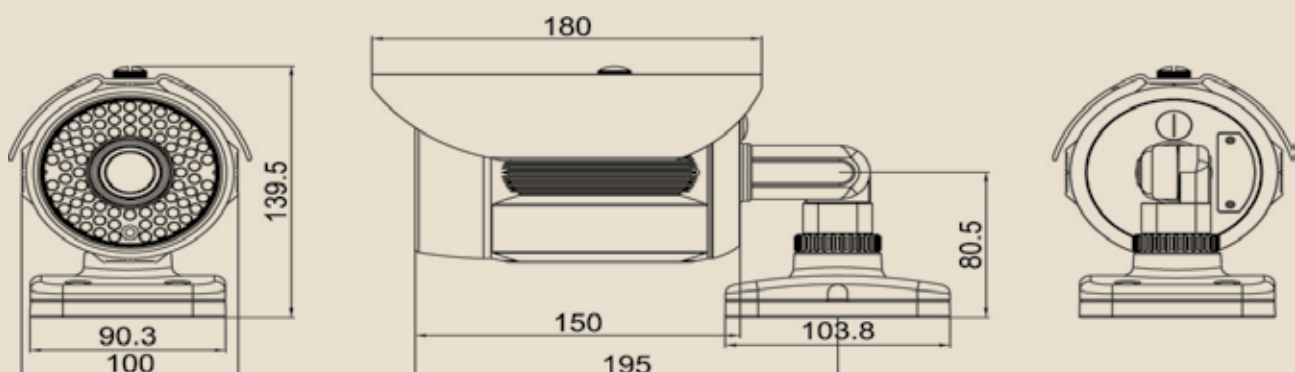


- Sony 1/3" Super HAD
- High Sensitivity Colour CCD High Resolution: 600TVL (Colour), 700TVL (B&W)
- 18mm~50mm Varifocal Auto Iris Lens
- True Day & Night for clear image 24 hours

CTMB-6351IR Specifications

- Next Generation DNR (2D + 3D) for saving storage
- Powerful Wide Dynamic Range
- High Light Compensation
- 8 Private Masking Zones
- Motion Detection 4 Zones Multi Languages OSD
- Digital Image Stabilizer
- Built-in IR LED (77pcs) & Photo Sensor
- Sens-up (256x)
- 50m Viewable Distance at Night
- IP67 Weatherproof
- Flexible backlight compensation zone setting
- RS485 Compensation
- Focus, Viewing Angle & OSD menu adjustment remotely

CTMB-6351IR Dimensions



(unit: mm)