

# Magnetic Locks

LOCKWOOD

ASSA ABLOY

ASSA ABLOY, the global leader  
in door opening solutions



280kg

## Mini Magnet Recessed

**Product Code: EM230MORT**

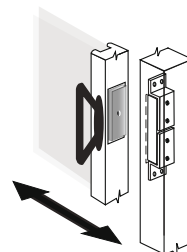
Size: (L)182 x (H)39 x (D)25

Holding Force: 250kg - 280kg

Current Draw: 450mA (12vdc)

Suitable For: Sliding Door - Aluminium.

Monitoring: Hall Effect (Door Locked)



## Mini Magnet

**Product Code: EM230M**

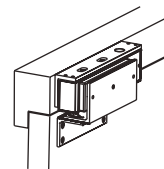
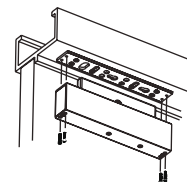
Size: (L)238 x (H)48 x (D)27

Holding Force: 250kg - 280kg

Current Draw: 450mA (12vdc) 225mA (24vdc)

Suitable For: Single Doors - Timber, Aluminium, Steel

Monitoring: Hall Effect (Door Locked) and Reed Switch (Door Closed)



## Standard Magnet

**Product Code: EM600M**

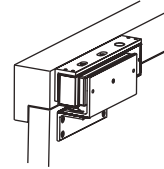
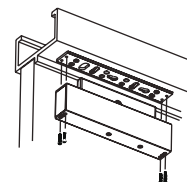
Size: (L)266 x (H)72 x (D)40

Holding Force: 550kg - 580kg

Current Draw: 512mA (12vdc) 256mA (24vdc)

Suitable For: Single Doors - Timber, Aluminium, Steel

Monitoring: Hall Effect (Door Locked) and Reed Switch (Door Closed)



## Standard Magnet Double

**Product Code: EM600DM**

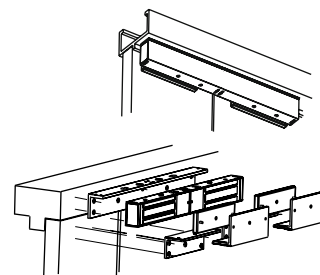
Size: (L)532 x (H)72 x (D)40

Holding Force: 550kg - 580kg each door

Current Draw: 1024mA (12vdc) 512mA (24vdc)

Suitable For: Double Doors - Timber, Aluminium, Steel

Monitoring: Hall Effect (Door Locked) and Reed Switch (Door Closed)



580 kg

## Weather Resistant Magnet

**Product Code: EM600MWR**

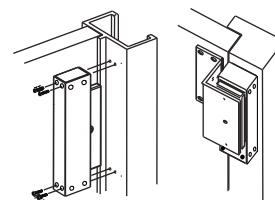
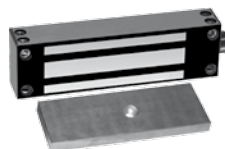
Size: (L)230 x (H)67 x (D)43

Holding Force: 550kg - 580kg

Current Draw: 512mA (12vdc) 256 mA (24vdc)

Suitable For: External Gates

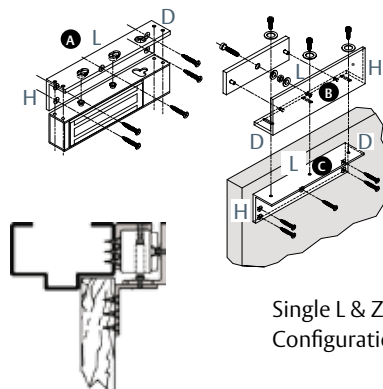
Monitoring: Hall Effect



## L & Z Brackets - Single Mini Magnet

Product Code: EMZL230

Size: A=(L)238 x (H)50 x (D)31  
 B=(L)190 x (H)50 x (D)50  
 C=(L)190 x (H)50 x (D)50

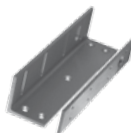


Single L & Z Configuration

## Adjustable Angle Bracket - Mini Magnet Single

Product Code: EMAAB230

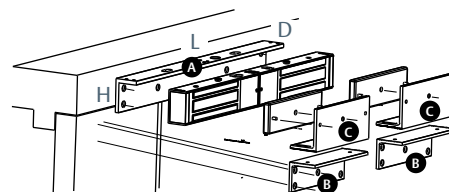
Size: (L)238 x (H)50 x (D)50



## L & Z Brackets - Standard Magnet Single

Product Code: EMZL600

Size: A=(L)266 x (H)68 x (D)48  
 B=(L)190 x (H)85 x (D)60  
 C=(L)190 x (H)60 x (D)60



Double L & Z Configuration

## Adjustable Angle Bracket - Standard Magnet

Product Code: EMAAB600

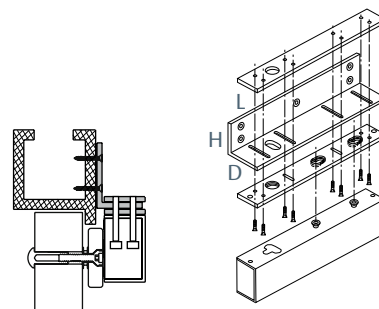
Size: (L)266 x (H)60 x (D)60



## Adjustable Angle Bracket - Double Standard Magnet

Product Code: EMAAB600D

Size: (L)532 x (H)60 x (D)60



Adjustable Configuration

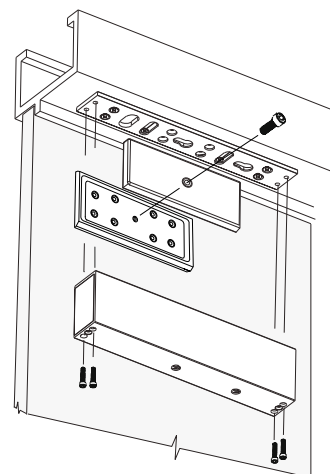
280kg

580 kg

280kg

**Timber Door Armature Bracket**  
**Product Code: EMWDAH230**

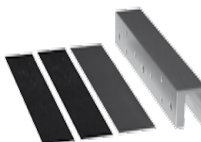
Suitable for: EM230M  
 Size: (L)200 x (H)55



Armature Bracket - Timber

**Glass Door Armature Bracket**  
**Product Code: EMGDB230**

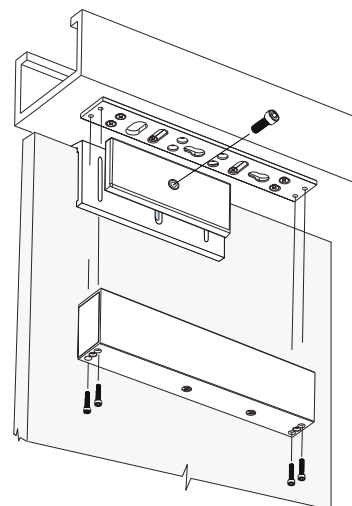
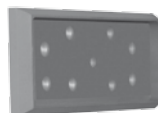
Suitable for: EM230M  
 Size: (L)195 x (H)38



580 kg

**Timber Door Armature Bracket**  
**Product Code: EMWDAH600**

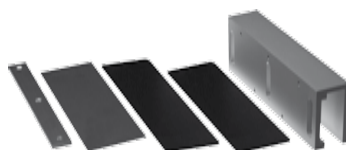
Suitable for: EM600M + EM600DM  
 Size: (L)209 x (H)77



Armature Bracket - Glass

**Glass Door Armature Bracket**  
**Product Code: EMGDB600**

Suitable for: EM600M + EM600DM  
 Size: (L)186 x (H)62



ASSA ABLOY New Zealand Limited

Auckland  
 6 Armstrong Road, Albany  
 North Shore City 0745  
 New Zealand  
 Phone +64 9 622 4804  
 Fax +64 9 622 4802

Wellington  
 Level 3, Home Ideas Centre  
 10 Hutt Road, Petone  
 Lower Hutt 5012, New Zealand  
 Phone +64 4 913 4214  
 Fax +64 9 913 4213

Christchurch  
 112 Wordsworth Street,  
 Sydenham, Christchurch 8023  
 New Zealand  
 Phone +64 3 379 4810  
 Fax +64 3 379 4819



**ASSA ABLOY**