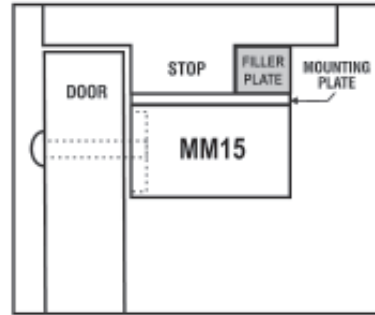




## Stop Filler Plates (SFP)

### How To Order

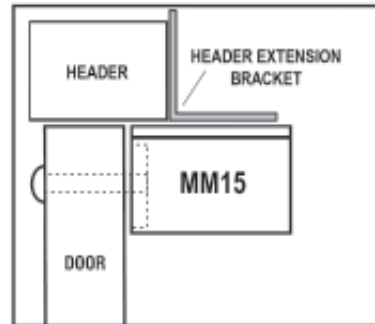
Dim. A	Part #	Description
3/8"	SFP-3/8CLMM15	MM15 SFP 3/8, Clear - 6"
3/8"	SFP-3/8BKMM15	MM15 SFP, 3/8" Black - 6"
1/2"	SFP-1/2CLMM15	MM15 SFP, 1/2" Clear - 6"
1/2"	SFP-1/2BKMM15	MM15 SFP, 1/2" Black - 6"
5/8"	SFP-5/8BKMM15	MM15 SFP, 5/8" Clear - 6"
5/8"	SFP-5/8CLMM15	MM15 SFP, 5/8" Black - 6"



## Header Extension Brackets (HEB)

### How To Order

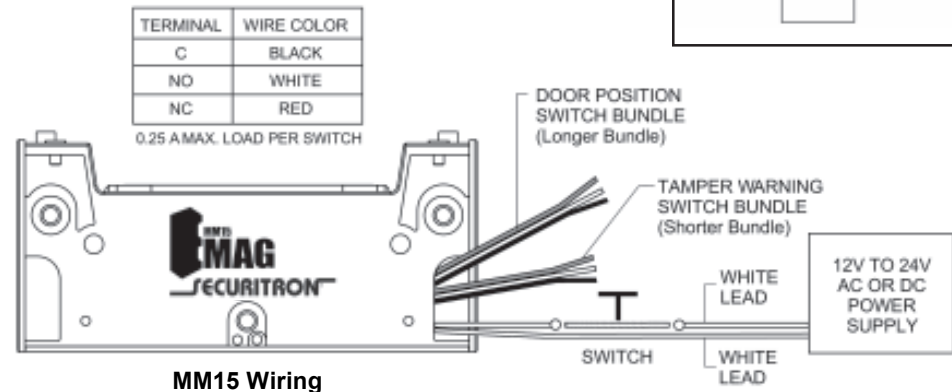
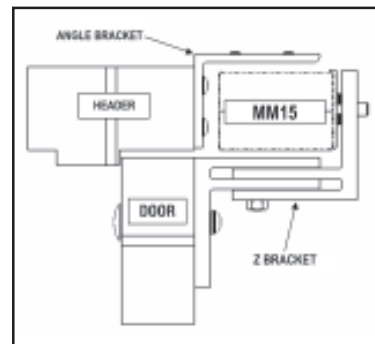
Dim. A	Part #	Description
1"	HEB-1CL-MM15	MM15 HEB 1", Clear - 6"
1"	HEB-1BK-MM15	MM15 HEB, 1" Black - 6"
2"	HEB-2CL-MM15	MM15 HEB, 2" Clear - 6"
2"	HEB-2BK-MM15	MM15 HEB, 2" Black - 6"
3"	HEB-3CL-MM15	MM15 HEB, 3" Clear - 6"
3"	HEB-3BK-MM15	MM15 HEB, 3" Black - 6"



## Z Brackets

### How To Order

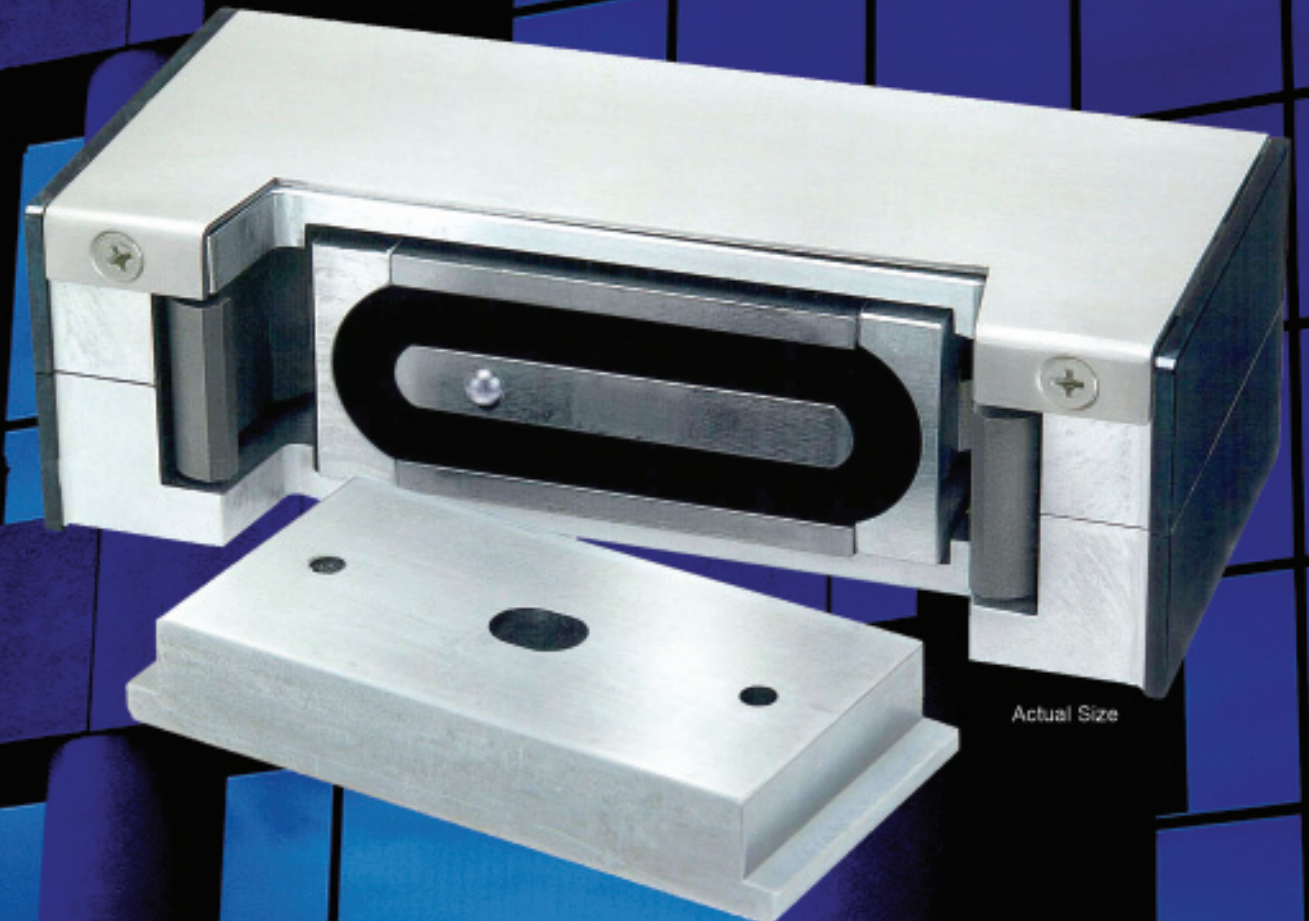
Part #	Description
Z-MM15CL	Z Bracket MM15, Clear - 6"
Z-MM15BK	Z Bracket MM15, Black - 6"



910-10145 Rev. A



The Dual-Action  
Electromagnetic and Electromechanical Lock  
with 4000 lbs. Holding Force





# MM15 Electromechanical Maglock



**Application** - 4000 lb. holding force dual voltage, dual current Maglock for interior or exterior doors where ultra-high security and compact size are required.

**Function** - MM15 is designed with two spring loaded, hardened steel mandibles. In the event of a forced entry attempt, the mandibles rotate inward, clamping down and capturing the edges of the armature.

### Features and Benefits

- 4000 lb holding force provides an unmatched level of security
- Dual voltage (12/24VDC) and dual current (AC/DC) operation
- Mounting plate provides easy and accurate installation
- Fail safe, but can be installed with a battery backup power supply
- Optional door position switch and anti-tamper switch
- Prepped for use with 1/2" conduit
- Available finishes include stainless, black or polished brass (US03)
- Brackets and accessories to configure any opening
- Indoor use only
- **UL listed**

### Specification Data

**Holding Force:** 4,000 lbs. [1016 Kg.]

**Current Draw and Voltage:**

**AC Current**

130mA max @ 12VDC

250mA max @ 24VDC

**DC Current**

100mA max @ 12VDC

200mA max @ 24VDC

**Operating Temperature:**

-40 to +140F [-40 to +60C]

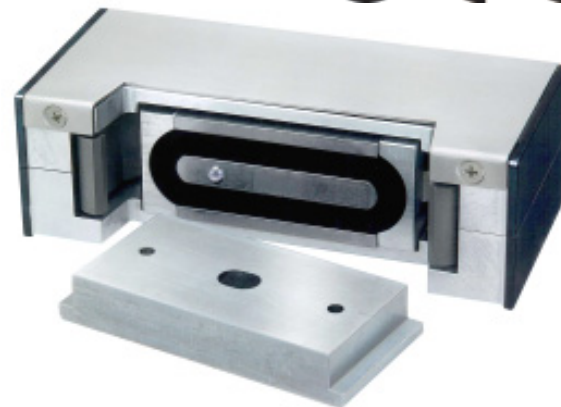
**Warranty:**

MagnaCare Lifetime Replacement Warranty

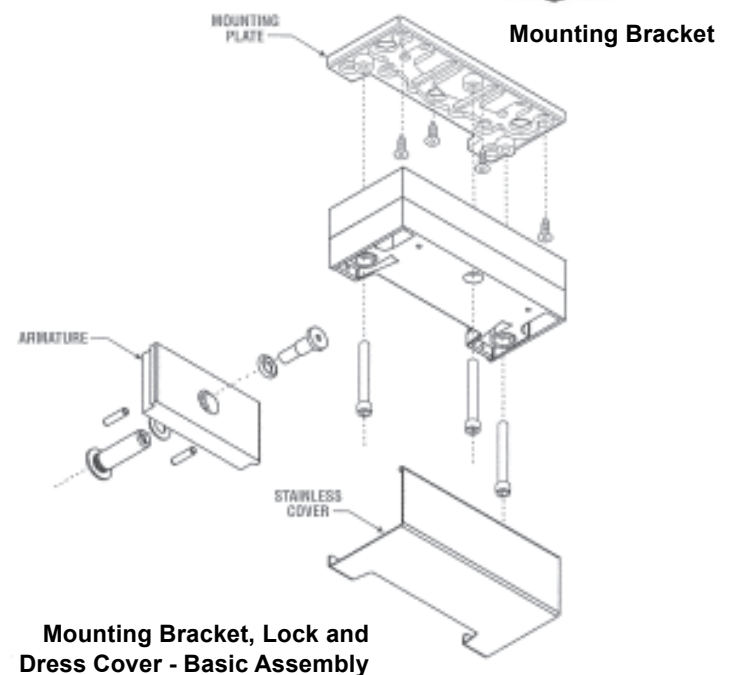
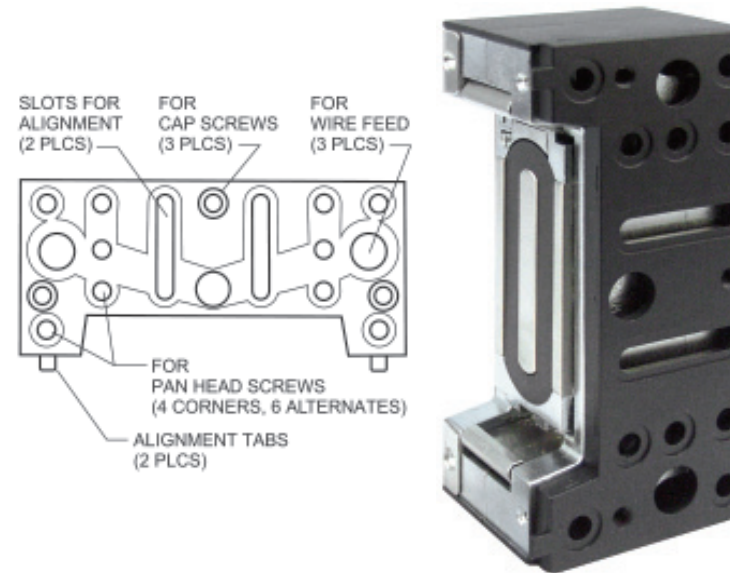
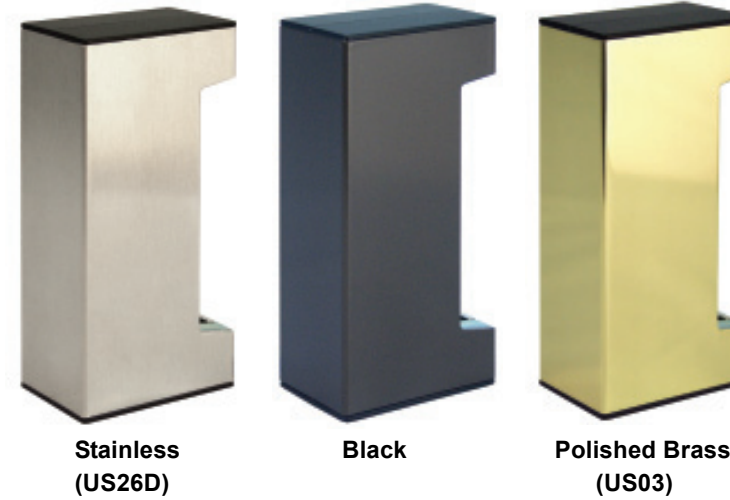
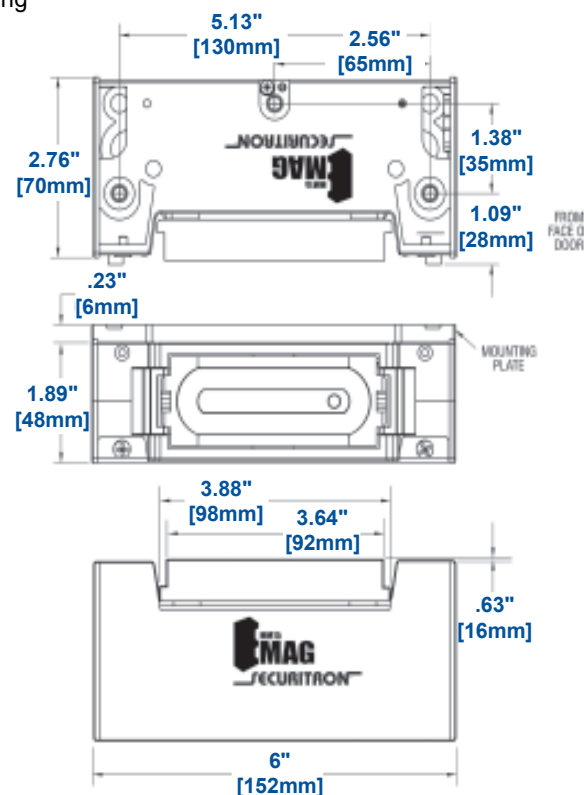
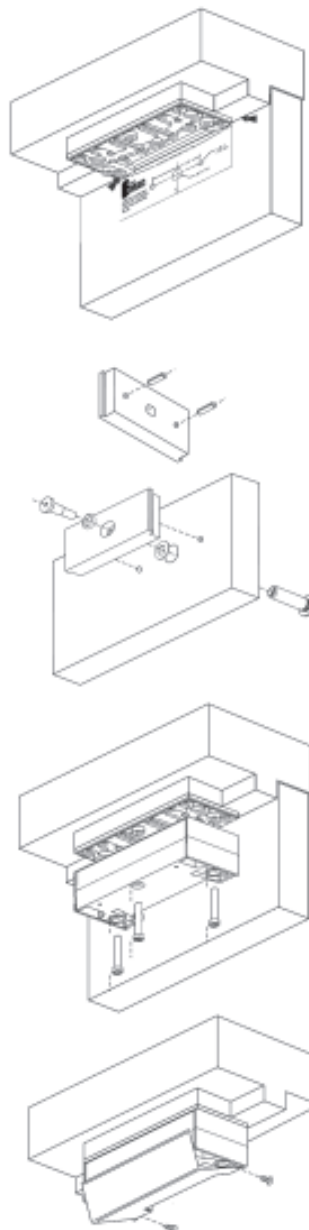
### How To Order

Part #	Description
MM15	4000 lb Electromechanical Maglock, Satin Stainless
MM15G	4000 lb Electromechanical Maglock, Satin Stainless, Conduit Option
MM15DT	4000 lb Electromechanical Maglock, Satin Stainless, Door Position/Tamper Switches Option
MM15GDT	4000 lb Electromechanical Maglock, Satin Stainless, Conduit Option, Door Position/Tamper Switches Option

(800) MAGLOCK



MM15 Basic Installation Sequence



Mounting Bracket, Lock and Dress Cover - Basic Assembly

# MM15 Finishes

MM15 is available with three different finishes. The finish is determined by means of a snap-on metal dress cover that also screws into the front of the lock body for added protection. The stainless dress cover is provided *standard* with the MM15. Black and polished brass dress covers must be purchased separately.

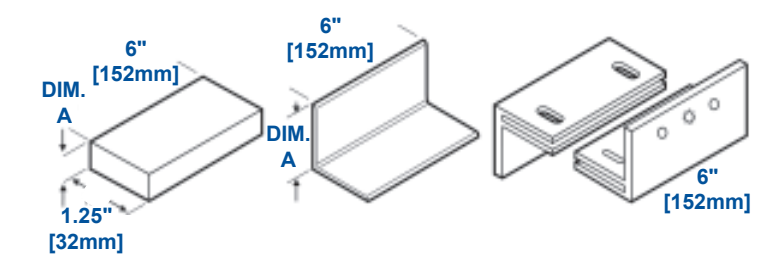
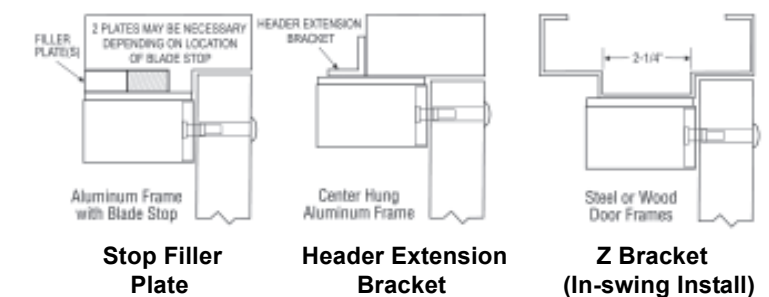
# Dress Covers

### How To Order

Part #	Description
DC-MM15BK	MM15 Dress Cover, Black
DC-MM15BP	MM15 Dress Cover, Polished Brass

# MM15 Specialized Application Brackets

MM15 is available with three types of specialty brackets that allow for proper lock mounting on a variety of door and frame styles and sizes.



Choose Dimension "A" on Reverse for Stop Filler Plates and Header Extension Brackets

www.securitron.com