

Weather Resistant Electromagnetic Locks

General Description

The Z8 weather Resistant Electromagnetic Lock operates with holding a force up to 580kg. Covering a range of applications this magnet is ideal for applications where it is exposed to the weather. With fixing options including wood, aluminium and steel constructions, the range caters to most external needs. The Electromagnet is available in monitored models using Hall-Effect monitoring. An additional advantage is the ability to select either 12V or 24V DC application on site.

Key Features

- Fail-safe: unlocks when power is removed
- Easy installation: suitable for both new and retrofit usage
- High holding force: refer to the technical data overleaf
- Self-alignment: armature plate pivots to accommodate door drop
- Silent operation: no humming or buzzing
- Dual voltage: site selectable 12 or 24 Vdc
- Monitored versions: Hall-Effect status monitoring available on some models
- Instantaneous release: smart electronics on the Z Series eliminate residual magnetism

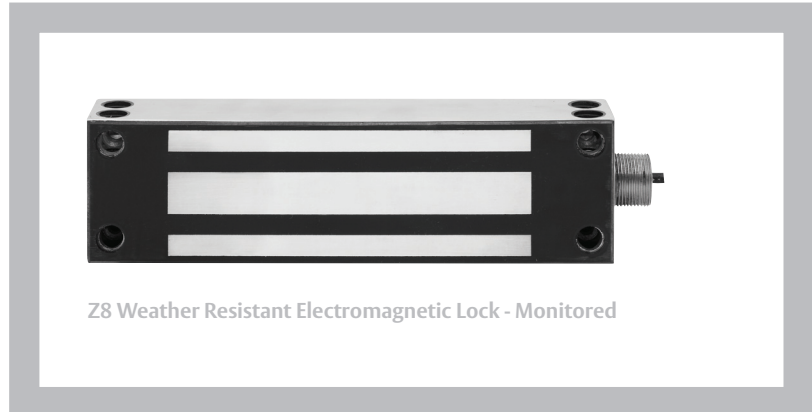
Monitoring

Hall / Bond Monitoring

Hall Effect position sensors are non-contact devices that convert energy from a magnetic field into an electrical signal. This indicates that the lock is powered and that the armature plate is in position and magnetically bonded (it monitors if the magnet is locked)


Applications

- Outdoor / Exposed doors
- Doors located in coastal areas

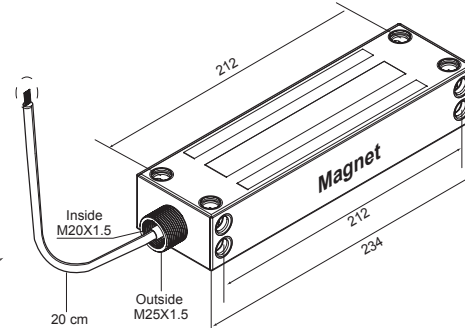
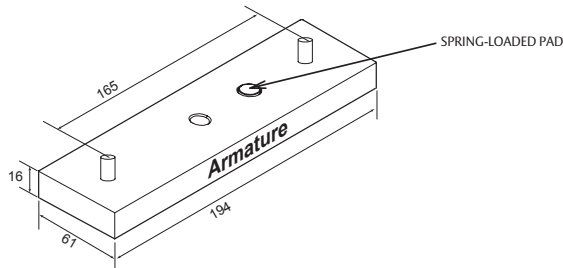


Standards and Compliance

 CE Approved

 C-Tick Certified

Weather Resistant Electromagnetic Locks



Weather Resistant Series Technical Information

Z8 Weather Resistant Electromagnet

Holding Force	550KG - 580KG
Dimensions	(L)230 x (H)67 x (D)43 mm
Voltage	12Vdc / 24Vdc $\pm 10\%$
Current	512mA @ 12Vdc 256mA @ 24Vdc
Monitoring	Hall-Effect
Operating Temperature	-25 to 55 Degrees
Operating Humidity	0 - 95%

Specification Statement

The Weather Resistant Series Electromagnetic Lock should be constructed in an aluminium case with heavy duty electromagnet. The range only operates in fail safe mode and relies on a secondary lock or battery backup system. In some cases the magnet armature plate pivots to accommodate door drop.

Ordering Information

Product Description	Part Number
Z8 Weather Resistant Electromagnet - Monitored	770600-310T